

**REQUEST FOR PROPOSALS (RFP)
DESIGN, ENGINEER, AND BUILD LIVE AND POST-PRODUCTION SYSTEM
GOVERNMENT ACCESS TELEVISION CHANNEL - NEW CITY HALL
FOR THE CITY OF STOCKTON, CALIFORNIA
PUR 24-032**

ADDENDUM No. 1

DATE: May 7, 2024

To All Potential Bidders:

A. This Addendum shall be considered part of the bid documents for the above-mentioned project as though it had been issued at the same time and shall be incorporated integrally therewith. Where provisions of the following supplementary data differ from those of the original bid documents, this Amendment shall govern and take precedence. BIDDERS MUST SIGN THE ADDENDUM AND SUBMIT IT WITH THEIR BIDS.

B. Bidders are hereby notified that they shall make any necessary adjustments in their estimates as a result of this Addendum. It will be construed that each bidder's bid is submitted with full knowledge of all modifications and supplemental data specified herein.

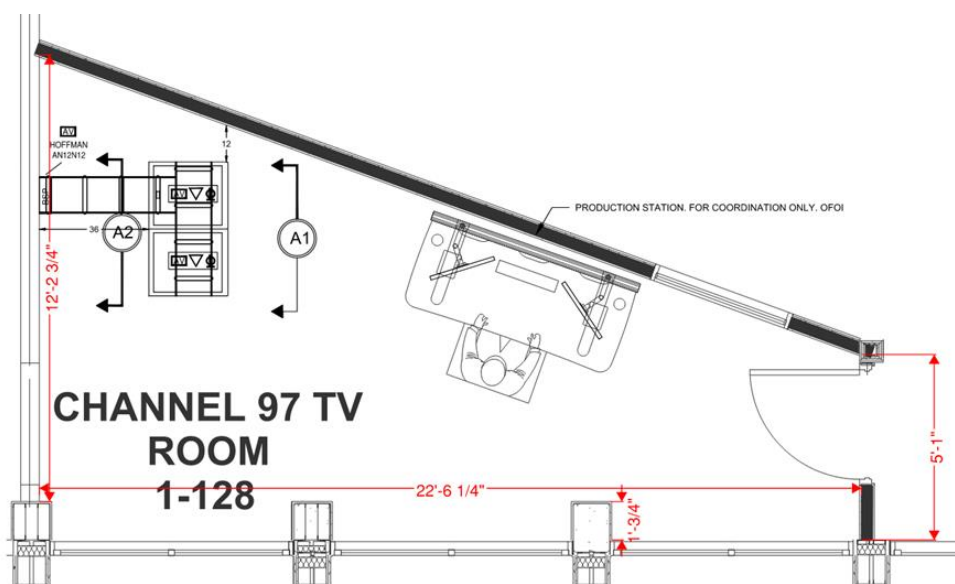
PLEASE NOTE THE FOLLOWING CHANGES AND CLARIFICATIONS TO PUR 24-032.

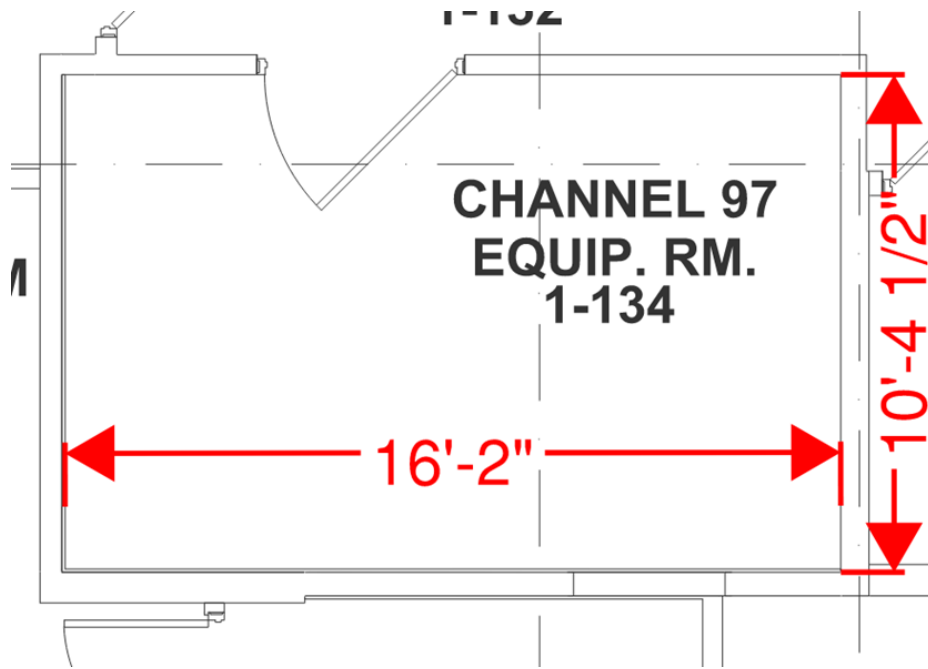
I. Questions and Answers

The following questions/answers to PUR 24-032. The City's responses to questions submitted are blue.

1. What are the dimensions of the control room?

Diagrams and dimensions of both the control room and the equipment room are provided below:





2. Is there power on the pole (in the middle of room)?

Yes. There will be power on the post in the middle of the room. The power supply is on the side that faces the back of the Council Chambers.

3. Do you want a touch panel control for clerks in and out for downtime?

Yes. We would like the Clerk to be able to access cameras and sound from the Council Chambers without entering the GovTV control room when not in broadcast mode (the room to the right of the dais).

4. Who is the AV Consultant company?

Our AV consultant, Guidepost Solutions LLC is contracted to work with the architect, Indigo | Hammond + Playle Architects, is providing the displays at the dais, large displays in chambers, racks in TV room, cabling and conduit infrastructure into GovTV control room, equipment room and throughout chambers.

5. Is the design in the control room intended for a single operator?

Yes. There is one operator in the GovTV control room. There may be two people in the room when the GovTV operator is training someone to operate the channel.

6. Will the walls be insulated in all rooms?

All new and exterior walls will be insulated. Any existing walls that are not being moved will not be insulated. In the GovTV control room, all walls will be insulated. In the secondary room that will be used as a studio (Channel 97 room), the wall with the entry door and directly across from the entrance are new and will be insulated. The other two walls, on either side of the room, will not be removed/insulated.

7. Will the AV network be a standalone unit or all run on the City network?

Not all meetings are broadcast. The GovTV operator must have control over the audio and video cameras for broadcasting.

8. Will there only be one camera located in the Channel 97 room?

There must be at least one camera located in the Channel 97 equipment room. There may be more than one camera; for example, the City may use a field camera for alternate angles/shots.

9. If the company can only prepare a proposal for a consultation design, will the proposal be accepted?

The vendor selected must provide an end-to-end solution: This is a solicitation for a design, engineer and build contract. The RFP is for a vendor who can provide an end-to-end solution, not design only.

BIDDER MUST ACKNOWLEDGE THIS ADDENDUM BY SIGNING BELOW AND ATTACHING THE SIGNED ADDENDUM TO THE BID FORM:

Company Name _____

Contact Person _____

Signature _____

Date _____

Bids Due – Promptly by 2:00 P.M., Thursday, June 13, 2024, at the City Clerk’s Office at city.clerk@stocktonca.gov .

-----City of Stockton Use Only below this line-----

Addendum acknowledged and signed? _____ (Procurement Specialist’s initials)